



CYLINDER & PIPE BLASTER

Kresco's Cylinder and Pipe Blaster automates the sandblasting process of cylinders, pipes, and other cylinder-shapes workpieces. Common applications are pipe cleaning, surface preparation, descaling, and corrosion removal.



COMMON APPLICATIONS

Cylinder & Pipe Blaster automates the cleaning, peening, and finishing of pipes and cylinder-shape parts ranging from 3/4" to up to 60" diameter.

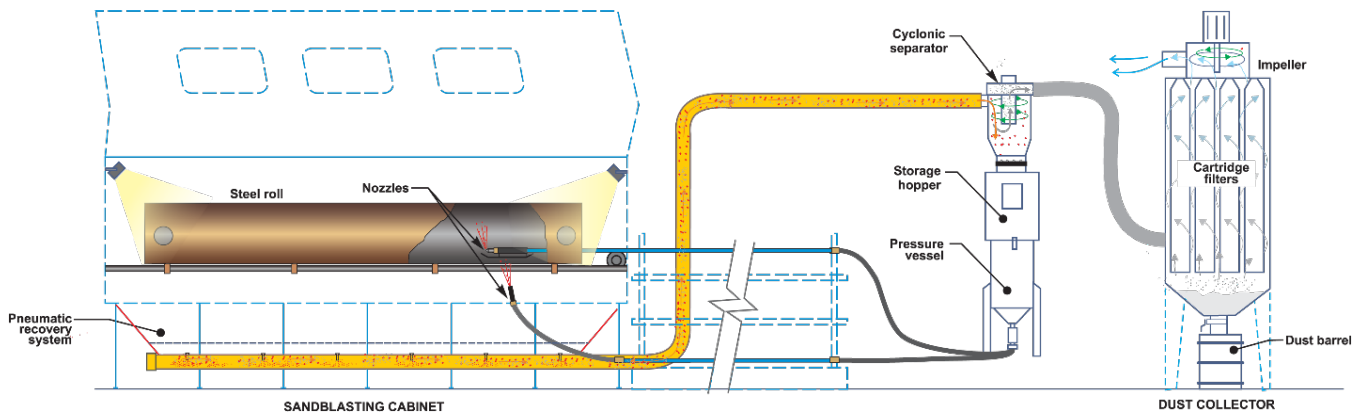
This system is designed for batch-type production of industrial surface treatment of both the exterior and interior surfaces simultaneously, saving a lot of production time and ensuring consistent results.



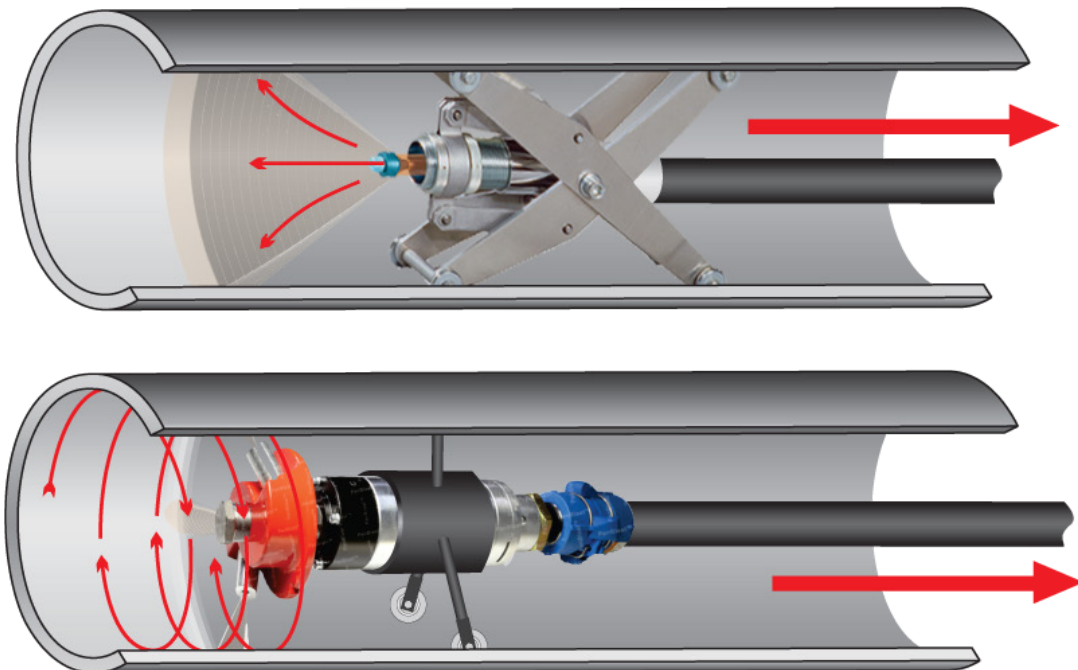
HOW IT WORKS

Simply put the cylinder piece on the rubberized drive rollers, shut the door, and start the blasting process.

As the cylinder rotates on the drive rollers, it gets exposed to oscillating blast nozzles mounted on a shaft to cover the whole exterior surface.



If needed, a pipe blaster nozzle can also enter the cylinder to clean the internal surface. We have pipe blasting solution that can process pipes ranging from 3/4" up to 60".



KEY FEATURES

PLC WITH USER HMI INTERFACE

Critical component operations are fully automated through a Programmable Logic Controller (PLC) with a Human-Machine Interface (HMI) touch screen. The PLC displays ongoing and resolved alarms for smooth functioning of the machine.

- **Main Screen:** Simple user interface for everyday operations and parameters
- **Alarm Screen:** Displays ongoing and resolved alarms history
- **Manual Screen:** Password-protected screen for maintenance personal
- **Maintenance Reminders:** Integrated maintenance program with reminders



EFFICIENT MEDIA RECOVERY SYSTEM

To optimize your process and reduce your overall cost

Our automated systems are delivered with a **tunable cyclonic media separator** that uses the centrifugal force to separate dust and fine particles (paint chip, rust, scattered media, etc.) from abrasive media still in perfect working condition to be reuse again.

Our unique design can process angular and spherical **abrasive media of various materials, granulometries, and bulk densities**. Its stand-alone support can accommodate different floor layouts and arrangements.

Cyclonic Separator



- 1 Dust, dirt and debris drawn out by the dust collector
- 2 Contaminated media mix from the sandblast cabinet
- 3 Adjustable air inlet to accommodate various types of media
- 4 Large debris dust drawer
- 5 Storage hopper available in different capacities
- 6 Abrasive media in good condition returned to the sandblast cabinet

Media Recovery System Specifications

	RB16	RB24	RB30
Body Diameter	16"	24"	30"
Air Flow (CFM)	900 CFM	1,200 CFM	1,800 CFM
Inlet ID	5" / 6"	6" / 7"	7" / 8"
Outlet ID	7"	8"	8"
Storage Hopper	Custom to each order based on the application and the production target		

POWERFUL CARTRIDGE DUST COLLECTOR

For a dust-free operation and environment

All our automated systems are delivered with a **powerful, self-cleaning cartridge-type dust collector** available in different filtration capacities according to your process requirements and cabinet dimension.



Dust Collectors Line Overview

	CDC900	CDC1200	CDC1800
Motor (HP)	2 HP	3 HP	5 HP
Fan (CFM)	900 CFM	1,200 CFM	1,800 CFM
Filter Cartridges	2	4	4
Filter Capacity	636 sq.ft.	1,272 sq.ft.	1,272 sq.ft.
Overall Dimensions (L x W x H)	48" x 23" x 120"	48" x 45" x 124"	48" x 45" x 124"
Shipping Height*	90"	94"	94"
Fan Muffler (db)	Under 80		

* Adjustable legs to be assembled on site

About Kresco



Kresco designs, manufactures, and supports industrial equipment for the surface treatment industries. **Kresco** has standard equipment designed for most applications and can customize equipment to meet or exceed your production expectations.

Sandblasting

- Sandblast Booths
- Sandblast Cabinets
- Automated Sandblasting Systems
- Abrasive Reclaiming Systems
- Pressurized Sandblasters
- Dust Collectors

Solvent Recovery

- Batch Solvent Distillers
- Continuous Flow Solvent Distillers
- Oil Cooling Systems

Shotblasting

- Roller Conveyor Blaster
- Rotary Table Blaster/Swing Table Blaster
- Spinner Hanger (Batch)
- Continuous Flow with Monorail
- Rubber and Steel Flight Tumbler Blasters
- Flow Thru Barrel Blasters
- Mesh Belt Continuous Blasters
- Monorail System Blasters
- Rim Blasters
- Preservation Line

Parts & Consumables

- Blast Nozzles
- Blast Hoses
- Abrasive Media
- Air Valves
- Abrasive Metering Valves
- Cartridge Filters
- Sludge Bags
- Safety Equipment & PPE

Painting

- Paint Spray Booths
- Powder Coating Booths
- Drying Ovens
- Air Make-Up Units

Services

- Turnkey Project Design
- Custom Design
- Full Installation
- Start-up Supervision
- Training
- Maintenance
- Retrofit & Upgrade

All systems are designed to build and they are manufactured with the highest quality standards in our manufacturing shop in Quebec, Canada.





Kresco

1404, avenue de la Gare, Mascouche, QC J7K 2Z2
(877) 757-3726 | info@krescosolutions.com | krescosolutions.com