

# SBP BLAST POT

## MAINTENANCE SCHEDULE



### DAILY MAINTENANCE

Component	Additional Information
Water Separator	Empty the water separator regularly <b>8</b> .
Sandblaster	Pressurize the sandblaster and perform a visual and auditory inspection to detect air leaks (service door, plunger, plunger seal, plumbing, valves, etc.).

### MAINTENANCE EVERY 6 MONTHS

Component	Additional Information
Exhaust Hose	Check the interior of the pressure relief plug <b>2</b> and replace when necessary. Check the pressure relief hose at the pinch point and replace when necessary <b>4</b> .
Sandblaster Sealing	Check the wear on the plunger <b>11</b> and the plunger seal <b>10</b> . Replace if signs of wear are visible and contact a Kresco representative to determine the cause.
Abrasive Regulation Valve	Service the abrasive regulation valve <b>9</b> or replace when necessary. Check the urethane regulating tube of the AR8 abrasive regulation valve <b>9</b> (if equipped). Replace if necessary.

## ANNUAL MAINTENANCE

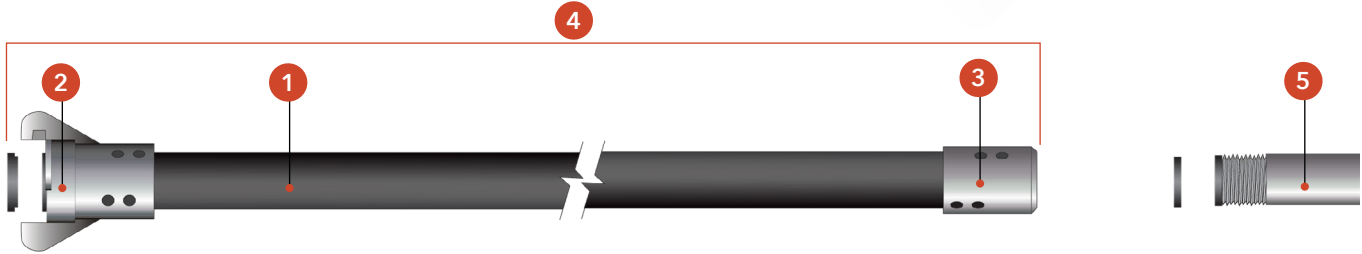
Component	Additional Information
Sandblaster Sealing	Check the wear of the service door seal <b>12</b> and the sandblaster cover gasket <b>1</b> . Replace as needed.

## REPLACE IF NECESSARY

#	Kresco Code	Description
1	ROL-NC1/2X1/8-S-ME	Closed Cell Neoprene Foam 1/2" Width X 1/8" Thickness
2	FIT-P1-1/4M-GA	Square Head Plug Galvanized Steel 1-1/4" NPTM
3	FLT-MINI-1/4	1/4" NPTF Inline Filter
4	SBH-3/4X1-1/2-BLK	SBH 3/4" X 1-1/2" OD Black Sandblast Hose
5	MAN-P-160P-B1/4-NM	Pressure Gauge 0-160 PSI Back 1/4" NPT Thread, Unmounted
6	VAV-COMBO-1-1/4	1-1/4" Combination Valve
7	VAV-AIV-1-1/4	AV-176 1-1/4" Air Valve
8	PNA-SEP-1-1/2	1-1/2" Water Separator
9	AMV-CORSAII-1-1/4	Abrasive Control Valve 1-1/4" Corsa II
	AMV-AR8-BOOSTER-1-1/4	AR8 1-1/4" Abrasive Control Valve with Actuator
	AMV-AR-TUBE	Rubber tube for AR7 and AR8 Valves
10	VPA-POP-4-RING	Seal for SBP-350/650 Plunger
	VPA-POP-4-7/8-RING	SBP-1050 Plunger Seal
11	VPA-POP-4-PLUNGER	4" Plunger for SBP-350/650 Sandblaster
	VPA-POP-5-PLUNGER	5" Plunger for SBP-1050 Sandblaster
12	GAK-SBP-DOOR-GASKET	SBP 5-1/2" x 7-1/2" SBP-350/650/1050 Access Door Seal

## SPARE PARTS LIST

### SANDBLASTING HOSES, FITTINGS AND NOZZLES



#	Description
1	Sandblast Hoses
2	Quick Connect Hose Fittings (Chicago) and O-Rings
3	Threaded Nozzle Fittings and O-Rings
4	Factory Assembled Hose and Fitting Kit
5	Threaded Nozzles

## 1. SANDBLASTING HOSES

Whip hose (including the suffix -W) offers light weight and flexibility of use, but wears out faster due to its smaller wall size compared to standard hoses. The Whip system is generally used as a “last length” blast hose in blast rooms and requires replacement more frequently.



Kresco Code	Model	Inside Diameter	Outside Diameter
SBH-1X1-7/8	SBH-1	1"	1-7/8"
SBH-1-1/4X2-5/32	SBH-1-1/4	1-1/4"	2-5/32"
SBH-1-1/4X1-7/8-W	SBH-1-1/4-W	1-1/4"	1-7/8"
SBH-1-1/2X2-3/8	SBH-1-1/2	1-1/2"	2-3/8"
SBH-2X2-7/8	SBH-2	2"	2-7/8"

\* Bulk sandblasting hoses are sold in multiples of 25'.

## 2. QUICK DISCONNECT HOSE COUPLINGS (CHICAGO)

Quick disconnect hose fittings (Chicago) are sold with a proper sized rubber gasket.



Kresco Code	Description	Compatibility with sandblasting hoses
COU-BHQC1-AL	Quick Disconnect (Chicago) 1"	SBH-1 and SBH-1-1/4-W
COU-BHQC1-1/4-AL	Quick Disconnect (Chicago) 1-1/4"	SBH-1-1/4
COU-BHQC1-1/2-AL	Quick Disconnect (Chicago) 1-1/2"	SBH-1-1/2

## 2. SEAL FOR HOSE FITTINGS



Kresco Code	Description	Compatibility with sandblasting hoses
GAK-COU-1	Quick Disconnect (Chicago) 1/2"	SBH-1/2-W and SBH-3/4
GAK-COU-1-1/4	Quick Disconnect (Chicago) 3/4"	SBH-1/2 and SBH-3/4-W
GAK-COU-1-1/2	Quick Disconnect (Chicago) 1"	SBH-1 and SBH-1-1/4-W

## 3. THREADED NOZZLE CONNECTIONS

The fittings below are compatible with 1-1/4" NPS or 50 mm threaded nozzles. Aluminum fittings are stronger than nylon fittings, but it can sometimes be more difficult to remove a worn nozzle due to abrasive media that can become lodged in the threads when the nozzle is not installed correctly.

## NYLON



Hose Model	Nozzle Compatibility	
	50 mm Thread	NPSF Thread
SBH-1	COU-NHHC1-50MM-NY	COU-NHHC1-NPSM-NY
SBH-1-1/4	COU-NHHC1-1/4-50MM-NY	COU-NHHC1-1/4-NPSM-NY
SBH-1-1/4-W	COU-NHHC1-50MM-NY	COU-NHHC1-NPSM-NY

## ALUMINUM



Hose Model	Nozzle Compatibility	
	50 mm Thread	NPSF Thread
SBH-1	COU-NHHC1-50MM-AL	COU-NHHC1-NPSM-AL
SBH-1-1/4	COU-NHHC1-1/4-50MM-AL	COU-NHHC1-1/4-NPSM-AL
SBH-1-1/4-W	COU-NHHC1-50MM-AL	COU-NHHC1-NPSM-AL

### 3. QUICK-DISCONNECT NOZZLE FITTINGS (CHICAGO)



Kresco Code	Description
COU-THQC1-NPSF-AL	Quick connector (Chicago) threaded NPSF 1-1/4" for 1" hose
COU-THQC1-1/4-NPSF-AL	Quick connector (Chicago) threaded NPSF 1-1/4" for 1-1/4" hose
COU-THQC1-1/2-NPSF-AL	Quick connector (Chicago) threaded NPSF 1-1/4" for 1-1/2" hose
COU-THQC2-NPSF-AL	Quick connector (Chicago) threaded NPSF 1-1/4" for 2" hose

## 4. HOSE AND FITTINGS ASSEMBLY

Kits with two Hose Connectors (QC-QC) at the tips can be used to make extensions. Kits with one Hose Connector (QC) and one Nozzle Holder (NH) are used to insert the nozzle.



Sandblasting hose		Available Kits (Kresco Codes)		
Model	Length	QC-QC	QC-NH (NPS Thread)	QC-NH (50 mm Thread)
SBH-1	12-1/2'	HOK-1-QCQC-12.5	HOK-1-QCNH-12.5-NPS	HOK-1-QCNH-12.5-50MM
	25'	HOK-1-QCQC-25	HOK-1-QCNH-25-NPS	HOK-1-QCNH-25-50MM
	50'	HOK-1-QCQC-50	HOK-1-QCNH-50-NPS	HOK-1-QCNH-50-50MM
SBH-1-1/4	12-1/2'	HOK-1-1/4-QCQC-12.5	HOK-1-1/4-QCNH-12.5-NPS	HOK-1-1/4-QCNH-12.5-50MM
	25'	HOK-1-1/4-QCQC-25	HOK-1-1/4-QCNH-25-NPS	HOK-1-1/4-QCNH-25-50MM
	50'	HOK-1-1/4-QCQC-50	HOK-1-1/4-QCNH-50-NPS	HOK-1-1/4-QCNH-50-50MM
SBH-1-1/4-W	12-1/2'	HOK-1-1/4W-QCQC-12.5	HOK-1-1/4W-QCNH-12.5-NPS	HOK-1-1/4W-QCNH-12.5-50MM
	25'	HOK-1-1/4W-QCQC-25	HOK-1-1/4W-QCNH-25-NPS	HOK-1-1/4W-QCNH-25-50MM
	50'	HOK-1-1/4W-QCQC-50	HOK-1-1/4W-QCNH-50-NPS	HOK-1-1/4W-QCNH-50-50MM

## 5. SINGLE VENTURI SANDBLASTING NOZZLES

Single Venturi nozzles offer exceptional blasting performance. Their design features a narrow inlet and a wide opening, which significantly increases the outlet velocity.

Materials	Kresco Code	Model	Inside Diameter	Thread
TUNGSTEN CARBIDE 	NOZ-DCV3-3/16TUN	DCV3	3/16"	NPSM 1-1/4"
	NOZ-DCV4-1/4TUN	DCV4	1/4"	NPSM 1-1/4"
	NOZ-DCV5-5/16TUN	DCV5	5/16"	NPSM 1-1/4"
	NOZ-DCV6-3/8TUN	DCV6	3/8"	NPSM 1-1/4"
	NOZ-DCV7-7/16TUN	DCV7	7/16"	NPSM 1-1/4"
	NOZ-DCV8-1/2TUN	DCV8	1/2"	NPSM 1-1/4"
BORON CARBIDE 	NOZ-BCV3-3/16BOR	BCV3	3/16"	NPSM 1-1/4"
	NOZ-BCV4-1/4BOR	BCV4	1/4"	NPSM 1-1/4"
	NOZ-BCV5-5/16BOR	BCV5	5/16"	NPSM 1-1/4"
	NOZ-BCV6-3/8BOR	BCV6	3/8"	NPSM 1-1/4"
	NOZ-BCV7-7/16BOR	BCV7	7/16"	NPSM 1-1/4"
	NOZ-BCV8-1/2BOR	BCV8	1/2"	NPSM 1-1/4"

## 5. SEAL FOR SINGLE VENTURI NOZZLES


The NW1 gasket is compatible with most 1-1/4" NPS Venturi nozzles available on the market.



Kresco Code	Description
GAK-NW1	NW1 Rubber Seal for Venturi Type Sandblasting Nozzle

## 5. DOUBLE VENTURI SANDBLASTING NOZZLES

Double Venturi nozzles offer increased performance compared to Single Venturi nozzles. The holes near the nozzle tip allows the introduction of atmospheric air, which significantly increases speed while reducing speed loss.

Materials	Kresco Code	Model	Inside Diameter	Thread
 BORON CARBIDE	NOZ-DVNB-3/16B-50MM	DVNB3	3/16"	50 mm
	NOZ-DVNB-1/4B-50MM	DVNB4	1/4"	50 mm
	NOZ-DVNB-5/16B-50MM	DVNB5	5/16"	50 mm
	NOZ-DVNB-3/8B-50MM	DVNB6	3/8"	50 mm
	NOZ-DVNB-7/16B-50MM	DVNB7	7/16"	50 mm
	NOZ-DVNB-1/2B-50MM	DVNB8	1/2"	50 mm

## 5. SEAL FOR DOUBLE VENTURI NOZZLES

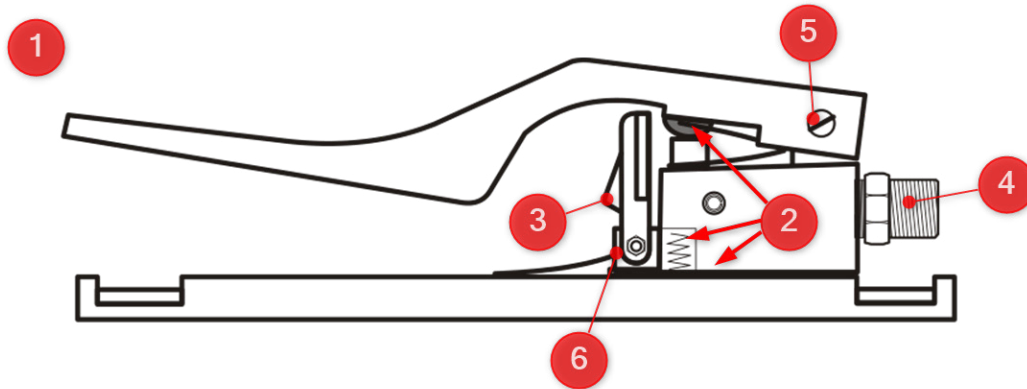
The NW1 seal is compatible with Double Venturi nozzles with a 50 mm thread. This seal fits between the nozzle and the sandblasting hose.



Kresco Code	Description
GAK-NW2	NW2 Rubber Seal for Double Venturi Type Sandblasting Nozzle

## REMOTE CONTROL HANDLE

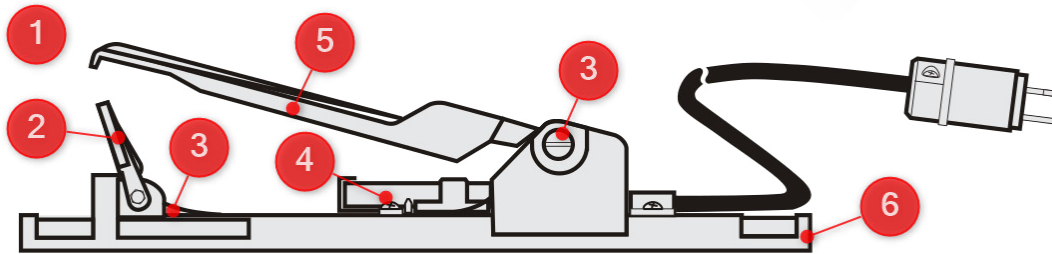
### AIRFLOW PNEUMATIC CONTROL HANDLE



#	Kresco Code	Description
1	REM-0164	AirFlow Pneumatic Remote-Control Handle - NPT Thread
2	REM-0164-REPAIR	Repair Kit Including Spring, Button and Base
3	REM-0104-LEVER	Safety Valve
4	FIT-R1/4X1/8MM-HEX-BR	Reducer Brass HEX 1/4" NPTM X 1/8" NPTM
5	REM-0164-SPRING	Spring
6	REM-0164-SCREW	Shoulder Screw

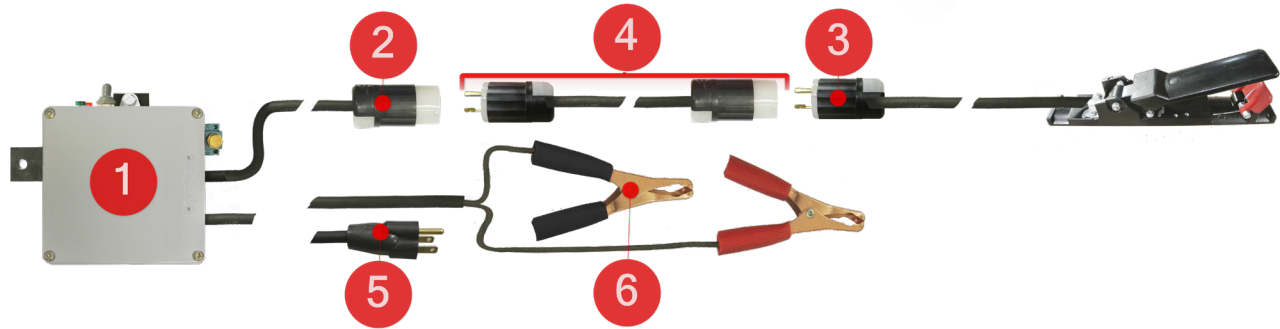
## REMOTE CONTROL HANDLE

### AIRFLOW ELECTRIC CONTROL HANDLE



#	Kresco Code	Description
1	REM-0104	AirFlow Electric Remote-Control Handle - NPT Thread
2	REM-0104-LEVER	Safety Valve
3	REM-0164-SPRING	Spring
4	REM-0164-SWITCH	Switch
5	REM-0104-HANDLE	Clenche
6	REM-0164-BASE	Base
7	REM-0164-SCREW	Shoulder Screw

## REMOTE CONTROL HANDLE PNEUMATIC-ELECTRIC CONVERSION BOX



#	Kresco Code	Description
1	REM-ELE-BOX-12V	12V-Pneumatic Signal Conversion Box (includes 2 and 6)
	REM-ELE-BOX-120V	120V-Pneumatic Signal Converter Box (includes 2 and 5)
2	PLG-5-15R-120V-LOCK	Nema 5-15A 125V Locking Female Plug
3	PLG-5-15P-120V-LOCK	Nema 5-15A 120V Locking Male Plug
4	REM-ELE-CABLE-12-1/2	12-1/2' Electrical Extension Cable with Male/Female Plugs
	REM-ELE-CABLE-30	30' Electrical Extension Cable with Male/Female Plugs
	REM-ELE-CABLE-55	55' Electrical Extension Cable with Male/Female Plugs
	REM-ELE-CABLE-105	105' Electrical Extension Cable with Male/Female Plugs
	REM-ELE-CABLE-130	130' Electrical Extension Cable with Male/Female Plugs
5	CAB-SJEOW-14-3-9M	14-3 SJEOW 9m Flexible Cable With plug
6	HAR-CLIP-12V	12V Clamp

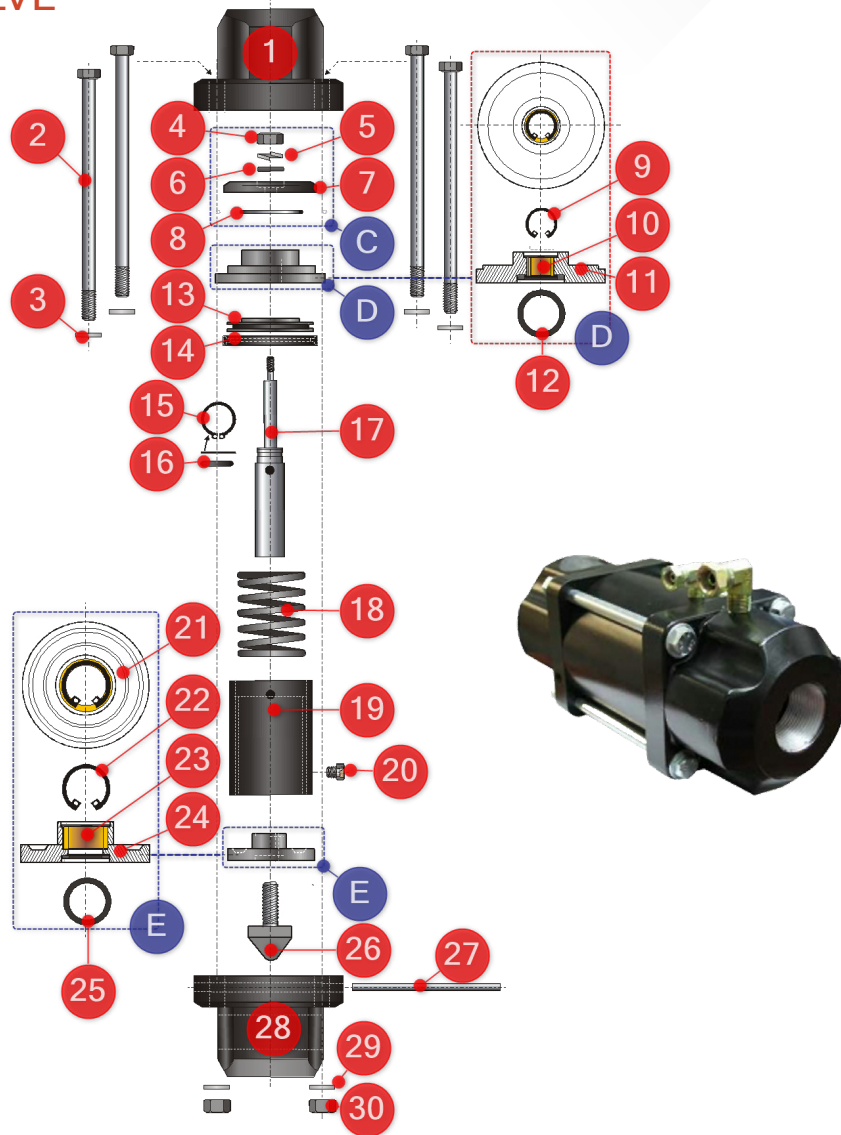
## HOSE EXTENSION FOR PNEUMATIC HANDLE



#	Kresco Code	Description
1	FLX-TW-025-0030	1/4" Twin Welding Hose Green Red 30'
2	FLX-TW-025-0055	1/4" Twin Welding Hose Green Red 55'
3	FLX-TW-025-0070	1/4" Twin Welding Hose Green Red 70'
4	FLX-TW-025-0080	1/4" Twin Welding Hose Green Red 80'
5	FLX-TW-025-0090	1/4" Twin Welding Hose Green Red 90'
6	FLX-TW-025-0105	1/4" Twin Welding Hose Green Red 105'
7	FLX-TW-025-0115	1/4" Twin Welding Hose Green Red 115'

# AIR VALVE

## 1-1/4" COMBO VALVE



#	Kresco Code	Description
A	VAV-COMBO-1-1/4	1-1/4" Combo Valve
B	VAV-COMBO-1-1/4-KIT	Repair Kit (4, 5, 6, 7, 12, 14, 15, 16, 22, 25)
C	VAV-COMBO-1-1/4-PLUGKIT	Set of Caps (4, 5, 6, 7, 8)
D	VAV-COMBO-1-1/4-UPASY	Upper Assembly (21, 22, 23, 25)
E	VAV-COMBO-1-1/4-DWASY	Lower Assembly (9, 10, 11, 12)

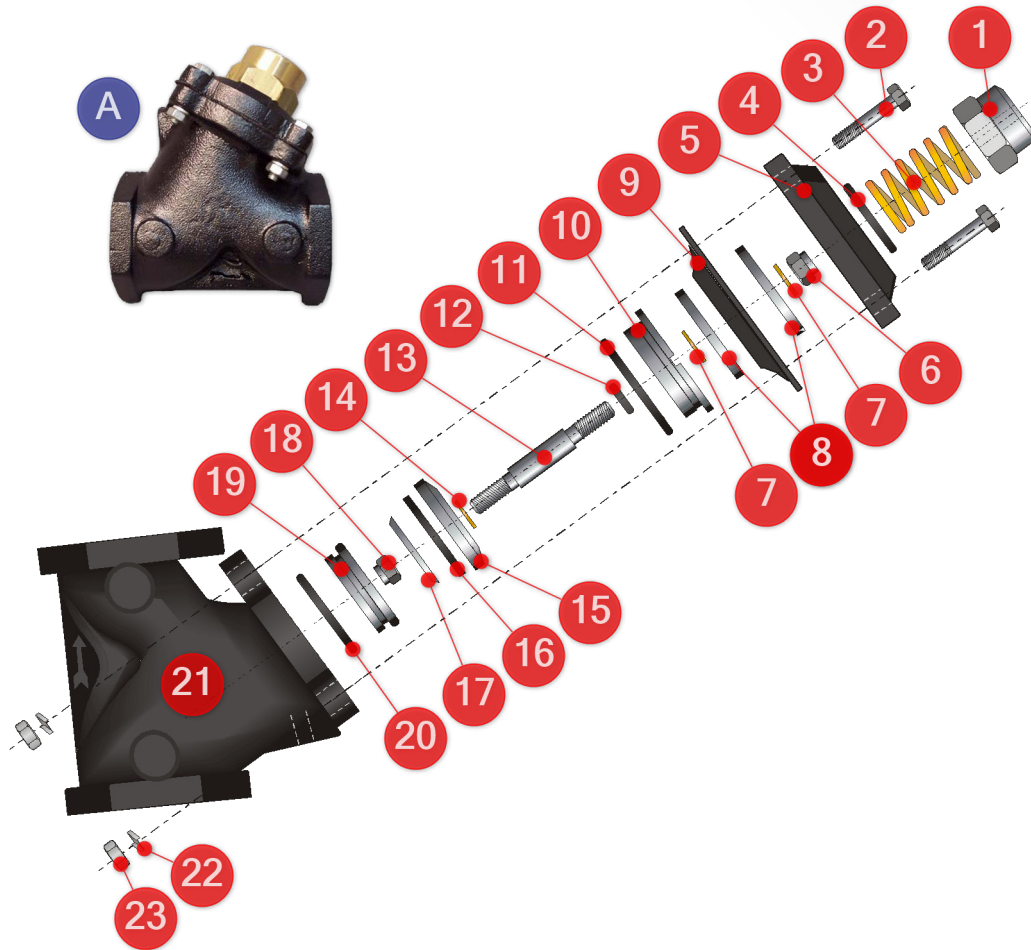
## SPARE PARTS

#	Kresco Code	Description
1	VAV-COMBO-1-1/4-CAP	Lid
2	N/A	Hexagon head bolt
3	N/A	Flat washer
4	N/A	Lock nut
5	N/A	Curved spring washer
6	N/A	O-Ring
7	N/A	Seat
8	N/A	Flat washer
9	N/A	Circlip
10	N/A	Lower rod guide bushing
11	N/A	Lower rod guide
12	N/A	Lower rod seal
13	N/A	Piston
14	N/A	Piston seal
15	N/A	Circlip

#	Kresco Code	Description
16	N/A	O-Ring
17	N/A	Axis
18	VAV-COMBO-1-1/4-SPRING	Spring
19	N/A	Cylinder
20	VAV-COMBO-1-1/4-MUFFLER	Exhaust filter
21	N/A	Upper rod guide
22	N/A	Circlip
23	N/A	Upper rod guide bushing
24	N/A	Upper rod guide
25	N/A	Upper stem seal
26	N/A	Pinch punch
27	N/A	Stem
28	VAV-COMBO-1-1/4-BASE	Base
30	N/A	Nut

## AIR VALVE

AV-186



### VALVE & SERVICE KITS

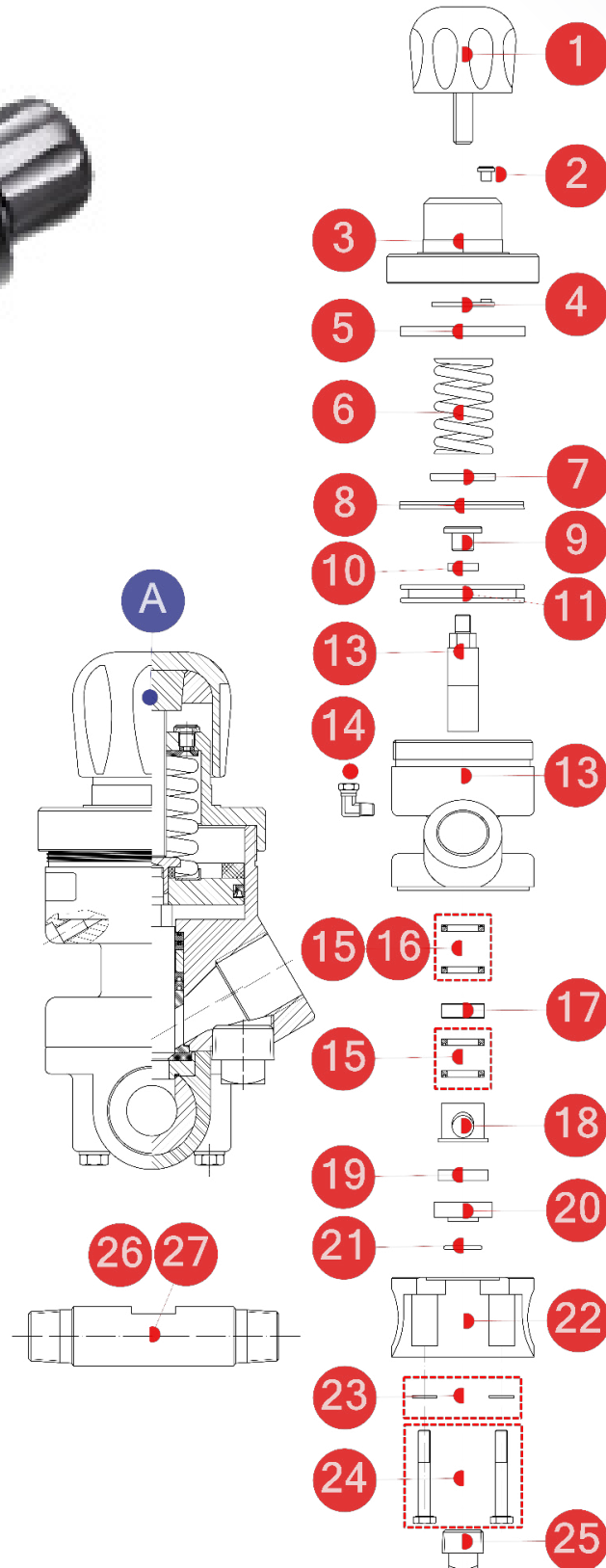
#	Description	1-1/4"	1-1/2"
A	AV-186 Air Valve Complete assembly	VAV-AIV-1-1/4	VAV-AIV-1-1/2
B	Repair kit (4, 6, 7, 9, 11, 12, 14, 16, 18, 20)	VAV-AIV-1-1/4-KIT	VAV-AIV-1-1/2-KIT

## SPARE PARTS

#	Kresco Code	Description
1	N/A	Hat
2	N/A	Hex Screw. Machined 1/4" UNC X 35 mm
3	VAV-AIV-SPRING	Spring
4	N/A	O-Ring 31.5 X 2 mm
5	N/A	Lid
6	N/A	5/16" UNF Locknut
7	N/A	8mm Flat Washer
8	N/A	Flat Washer
9	N/A	Diaphragm
10	VAV-AIV-SERKIT-SL	Guide Sleeve
11	N/A	O-Ring 45 x 3 mm
11	N/A	O-Ring 45 x 3 mm
12	N/A	O-Ring 9 X 2.65 mm
13	N/A	Axis
14	N/A	Flat Washer
15	N/A	Seat Base
16	N/A	Rubber Seal
17	N/A	Bowl
18	N/A	1/2" UNF Locknut
19	N/A	Inner Ring
20	N/A	O-Ring 34 X 1.8 mm
21	N/A	Body
22	N/A	1/4" Spring Washer

# ABRASIVE REGULATION VALVE

## CORSA II



## VALVE & SERVICE KITS

#	Description	1-1/4"	1-1/2"
HAS	Corsa II Abrasive Regulation Valve	AMV-CORSAII-1-1/4	AMV-CORSAII-1-1/2
B	Seat Repair Kit (Includes 19, 20 and 21)	AMV-CORSAII-KIT-SEAT	
C	Gasket Set (Includes 8, 15, 16, 17, 18, 19, 20, 21)	AMV-CORSAII-KIT-SEAL	
D	Piston Repair Kit (Includes 4, 5, 6, 8, 9, 10 & 11)	AMV-CORSAII-PISTON-KIT	
E	Base Repair Kit (Includes 22, 23 and 24)	AMV-CORSAII-KIT-BASE	

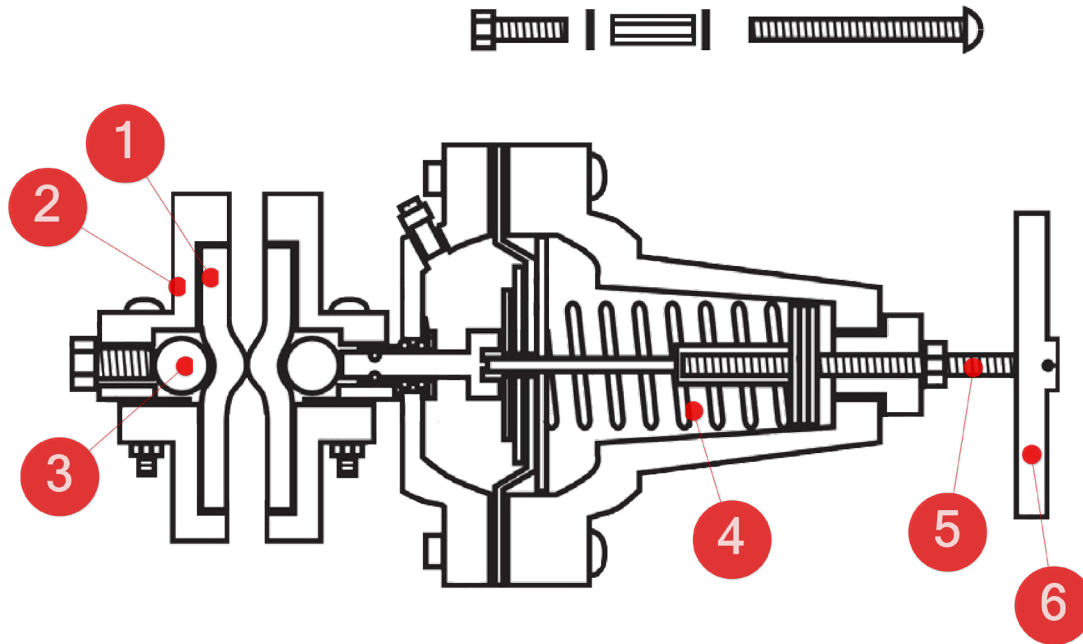
## SPARE PARTS

#	Kresco Code	Description
1	AMV-CORSAII-KNOB	Control Button
2	AMV-CORSAII-FILTER	Exhaust Filter
3	AMV-CORSAII-CAP	NPT Hat
4	AMV-CORSAII-WASHER-VIB	Anti-Vibration Washer
5	AMV-CORSAII-ORING-STOP	Lock Washer
6	AMV-CORSAII-SPRING	Spring
7	AMV-CORSAII-SPRING-SEAT	Seat Spring
8	AMV-CORSAII-PISTON-SEAL	Piston Seal
9	AMV-CORSAII-PLUNGER-COVER	Piston Cover
10	AMV-CORSAII-WASHER-NYLON	Nylon Washer
11	AMV-CORSAII-PISTON	Piston
12	AMV-CORSAII-PLUNGER	Tungsten Plunger
13	AMV-CORSAII-CYLINDER	NPT Cylinder
14	AMV-CORSAII-ELBOW	Elbow with Nut - NPT

#	Kresco Code	Description
15	AMV-CORSAII-PLUNGER-SEAL	Plunger Seal
16	AMV-CORSAII-ORING-PLUNGER	Plunger O-ring
17	AMV-CORSAII-BUSH	Ring
18	AMV-CORSAII-SLEEVE	Tungsten Sleeve
19	AMV-CORSAII-SEAT	Urethane Seat
20	AMV-CORSAII-SEAT-HOLDER	Seat Support
21	AMV-CORSAII-ORING-SEAT	Seat O-ring
22	AMV-CORSAII-BASE	NPT Base
23	AMV-CORSAII-WASHER-FLAT	Flat Washer
24	AMV-CORSAII-BOLT	Hexagon Head Bolt
25	AMV-CORSAII-PLUG	Plug - NPT - Stainless Steel
26	AMV-CORSAII-N1-1/4	1-1/4" x 1-1/4" NPT Pipe Fitting
27	AMV-CORSAII-N1-1/2	1-1/2" x 1-1/2" NPT Pipe Fitting

# ABRASIVE REGULATION VALVE

## AR8 + BOOSTER



### SPARE PARTS

#	Kresco Code	Description
	AMV-AR8-1-1/4-BOOSTER	AR8 1-1/4" Abrasive Regulation Valve with Actuator - Complete Assembly
1	AMV-AR-TUBE	Rubber Tube for AR7 and AR8 Valves
2	AMV-AR8-FLANGE	AR8 2" NPT Flange
3	AMV-AR8-ROLLER	AR8 Pinch Roller
4	AMV-AR8-SPRING	AR8 Spring
5	AMV-AR8-SHAFT	1/2" AR8 Handle Shaft
6	AMV-AR8-HANDLE	AR8 Grip, Includes Adjustment Screw